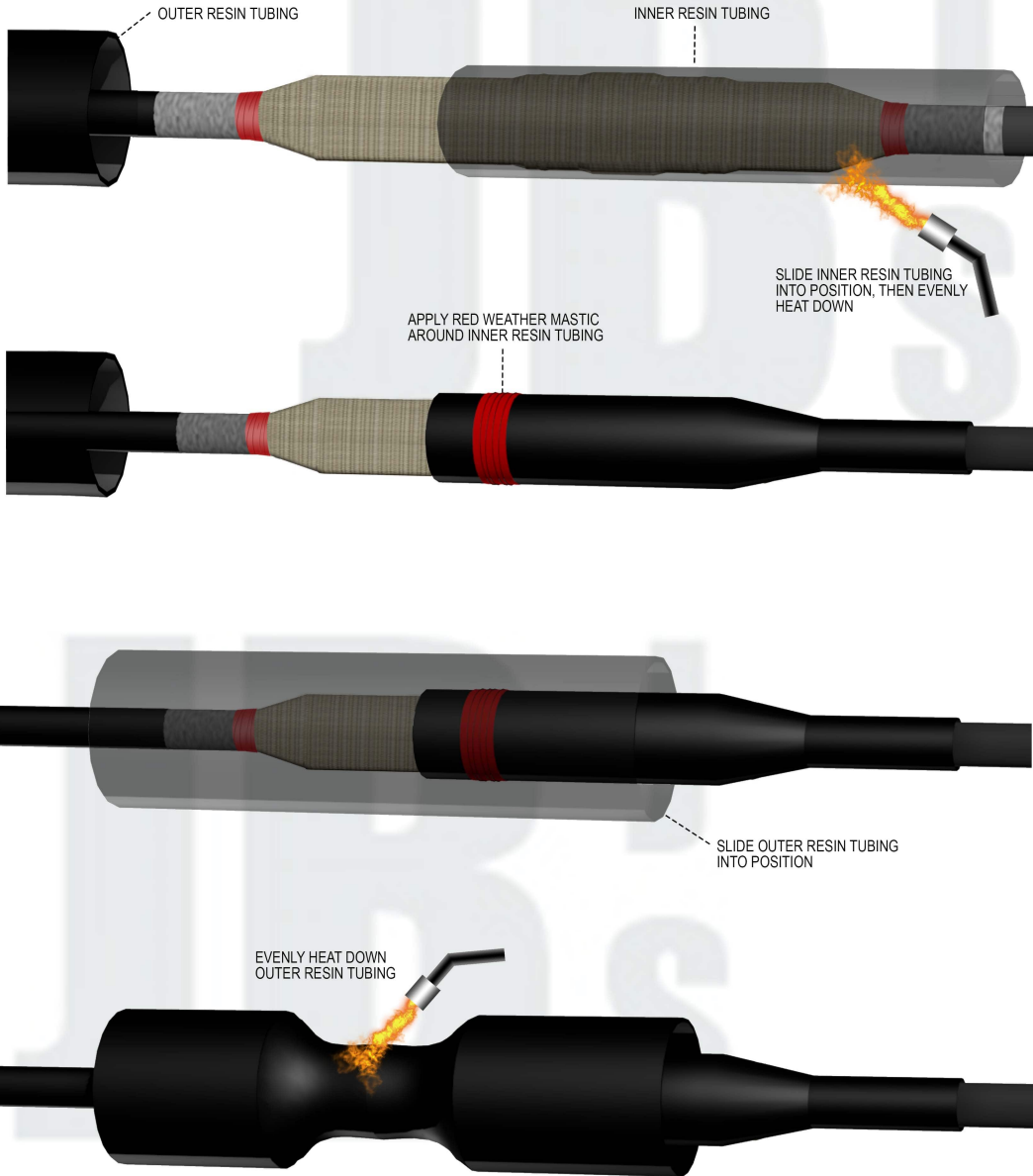


**STAGE 6**



**ENERGEX APPROVED**  
J.Lansley - Date 28.01.2016

6.3 / 11 KV

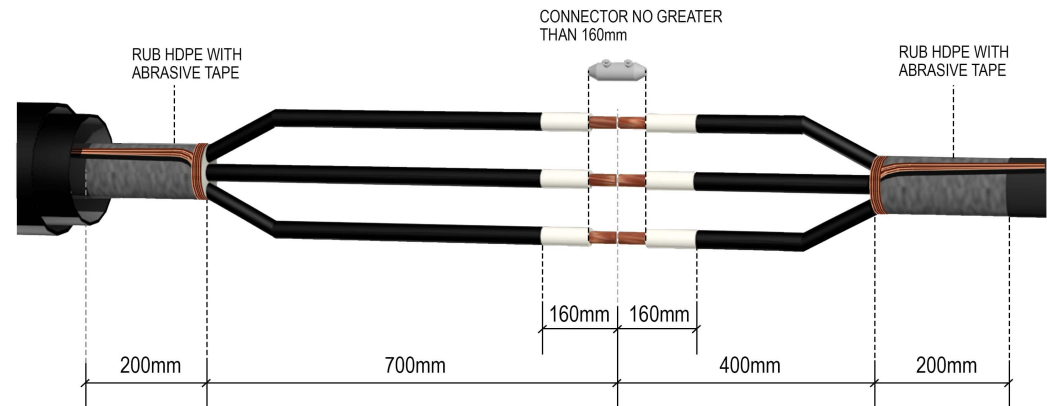
70 - 300mm<sup>2</sup> Cu XLPE - XLPE

70 - 400mm<sup>2</sup> Al XLPE - XLPE

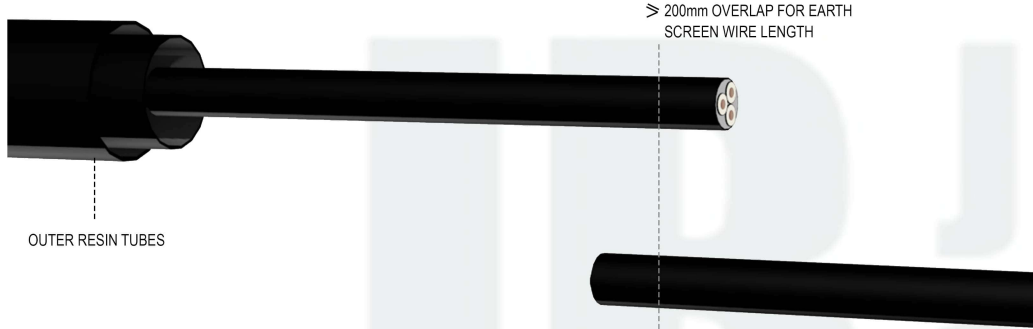
THREE CORE - THREE CORE STRAIGHT JOINT

**TERMINATION GUIDE**

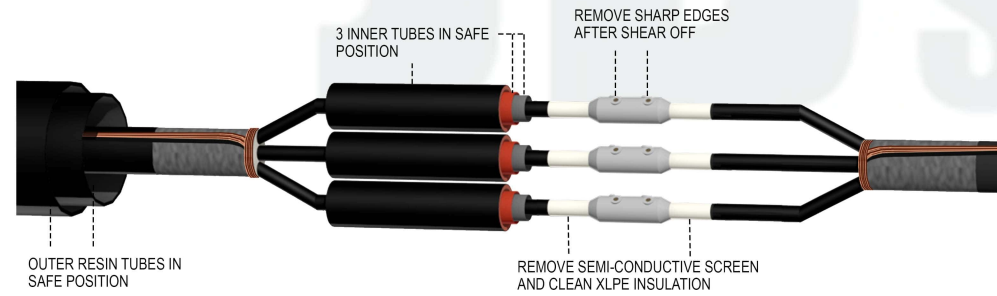
**SUMMARY**



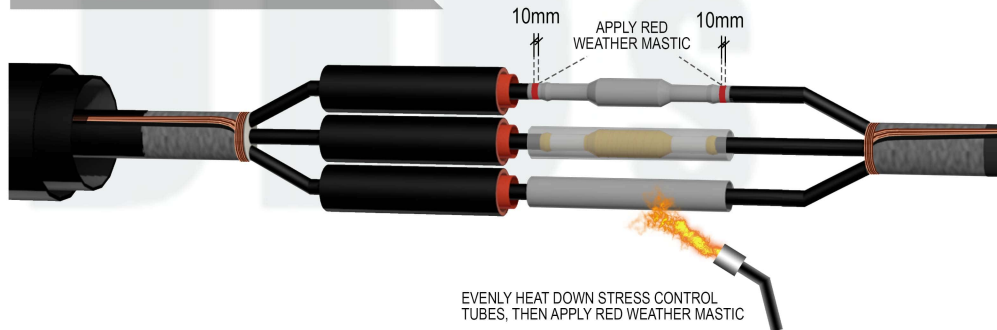
# CABLE PREP



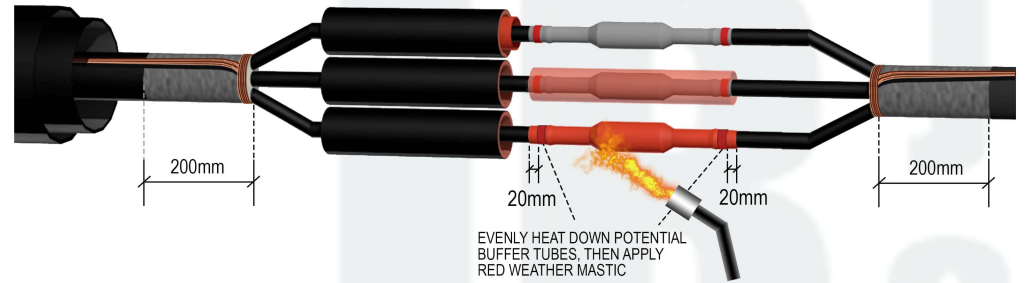
## STAGE 1



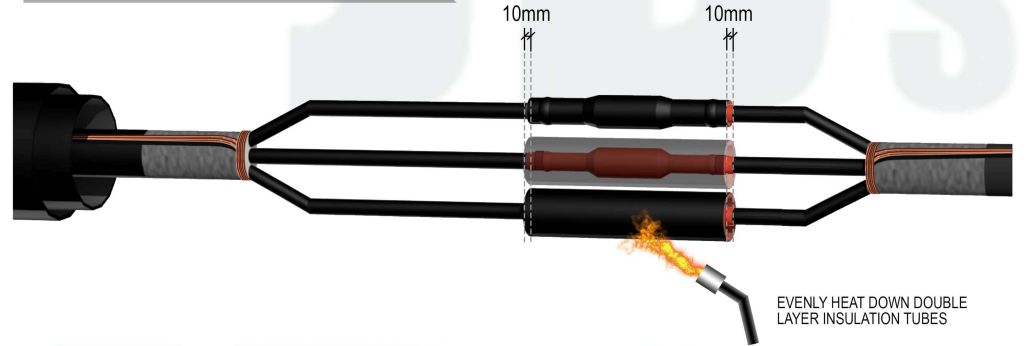
## STAGE 2



## STAGE 3



## STAGE 4



## STAGE 5

